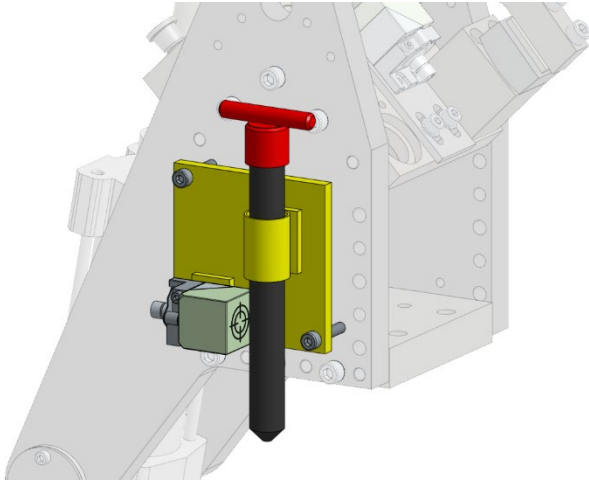


## TR80/100 TECH-PIVOT LOCK OUT PIN PACKAGE



This Pin Package is designed for holstering the lock out pin and securing a “Cube-Style” proximity sensor. The pin is made of high strength steel and certified for usage with TR80 and TR100 pivot applications. The package mounts directly to the pivot using the holes provided. The customer provides the sensor and fasteners.

### Features

- P.E. Certified for TR80/100 Applications
- Welded Steel Construction
- Black Oxide and Painted Finish
- Mounts directly to either side
- (2) M5 tapped holes for “Cube-Style” sensors
- (2) clearance holes for M8 fasteners

### Ordering Information

Part No.	Description	Weight
ADL070	Lock Out Pin Package for TR80 & TR100	2.47 kg [5.44 lbs]
ADL050	Lock Out Pin Only	1.07 kg [2.36 lbs]
ADL051	Lock Out Pin Mount Only	1.42 kg [3.13 lbs]

- Additional options available upon request

### Physical Dimensions

