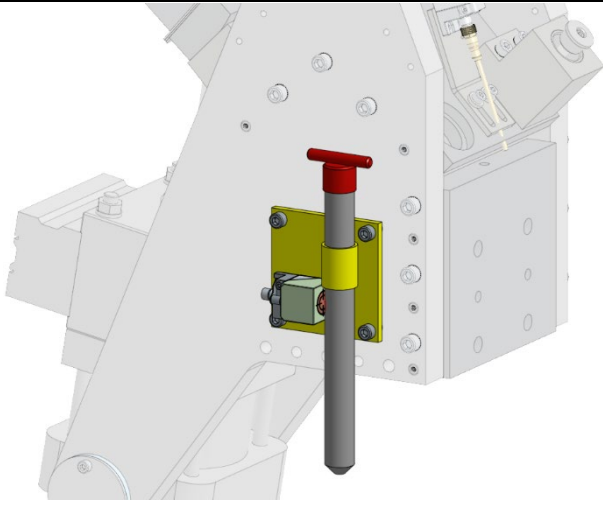


TR160 TECH-PIVOT LOCK OUT PIN PACKAGE



This Pin Package is designed for holstering the lock out pin and securing a “Cube-Style” proximity sensor. The pin is made of high strength steel and certified for usage with TR160 applications. The package mounts directly to the pivot using the holes provided. The customer provides the sensor and fasteners.

Features

- P.E. Certified for TR160 Applications
- Welded Steel Construction
- Black Oxide and Painted Finish
- Mounts directly to either side
- (2) M5 tapped holes for “Cube-Style” sensors
- (4) clearance holes for M10 fasteners

Ordering Information

Part No.	Description	Weight
ADL370	Lock Out Pin Package for TR160	3.26 kg [7.19 lbs]
ADL350	Lock Out Pin Only	2.11 kg [4.64 lbs]
ADL351	Lock Out Pin Mount Only	1.15 kg [2.54 lbs]

- Additional options available upon request

Physical Dimensions

