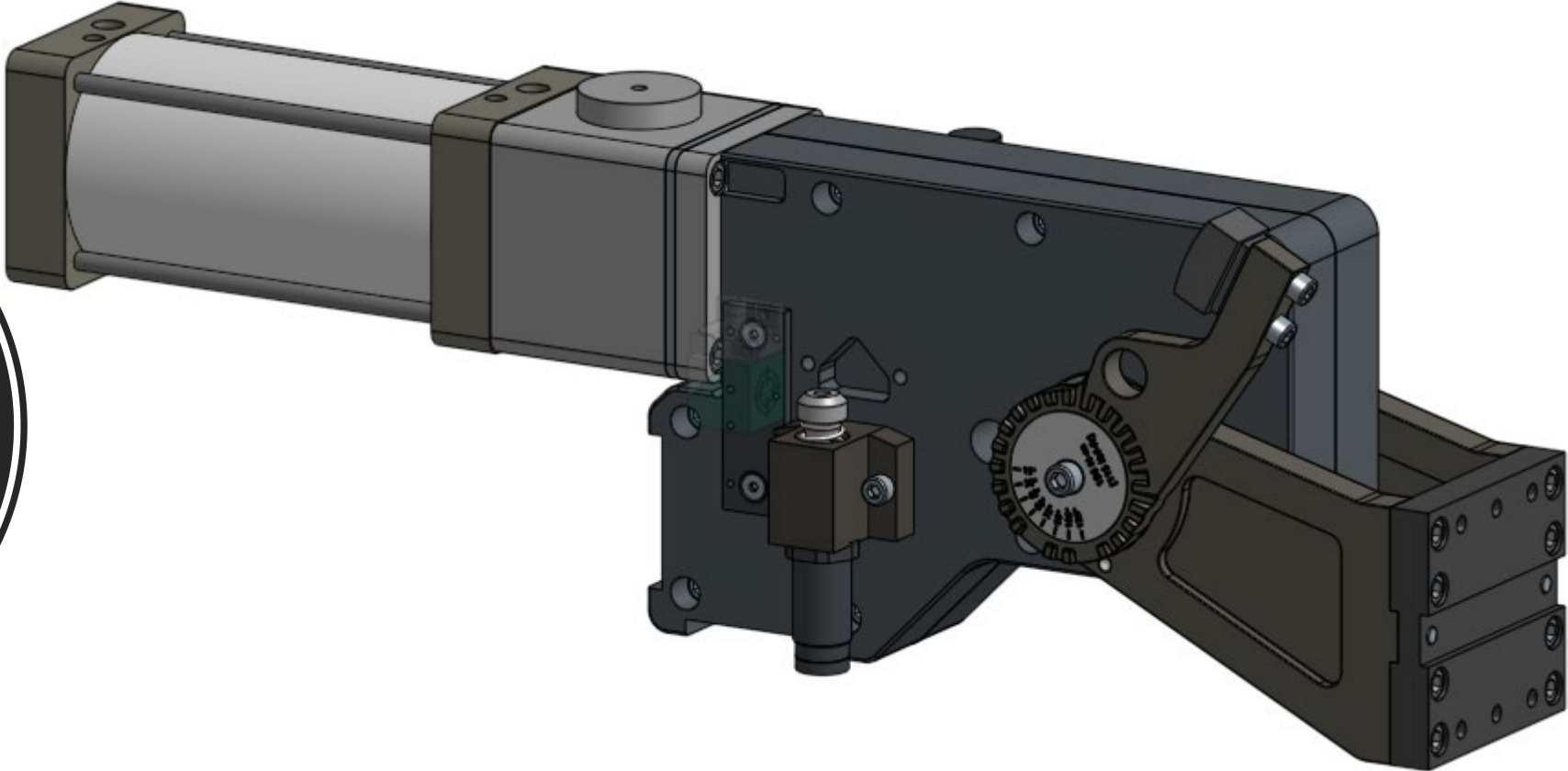


ENCLOSED  
TECH PIVOT  
TPE125



## Ordering Information

**TPE125 - 120 - V1 - L - 1 - N - X - M**

**MIRROR**

**M MIRRORED**

**LEAVE BLANK FOR STANDARD**

**SWITCHES**

**X NO SWITCHES**

**40x20 CUBE SWITCH READY**

**1 P+F CUBE SWITCH**

**2 TURCK CUBE SWITCH**

**CYLINDER PORT TYPE**

**N 1/2 NPT**

**G 1/2 ISO G**

**CYLINDER PORT POSITION**

**1 POSITION 1**

**2 POSITION 2**

**3 POSITION 3**

**4 POSITION 4**

**CYLINDER ROD LOCATION**

**L WITH ROD LOCK**

**SADDLE ORIENTATION**

**H1 HORIZONTAL, STANDARD**

**H2 HORIZONTAL, OPPOSITE \*H2 ONLY AVAILABLE 15-90 DEGREES**

**V1 VERTICAL, STANDARD**

**V2 VERTICAL, OPPOSITE**

**OPENING ANGLE**

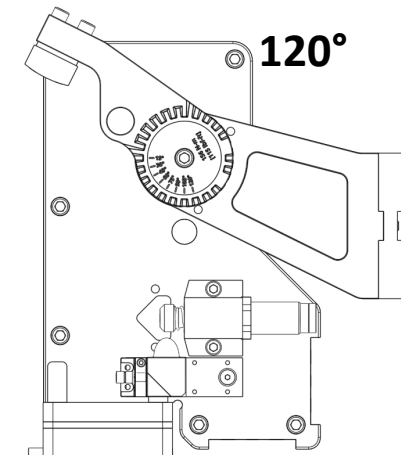
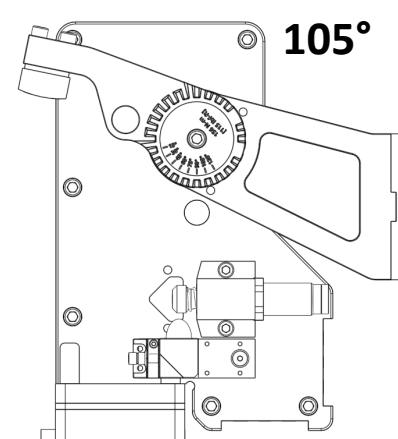
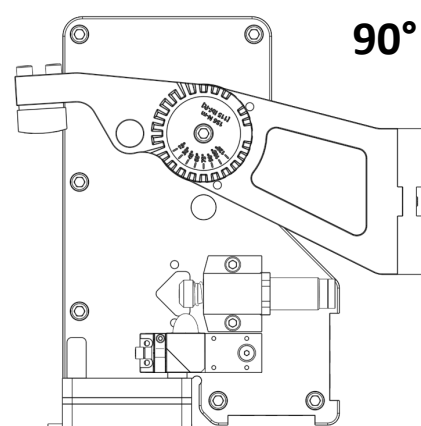
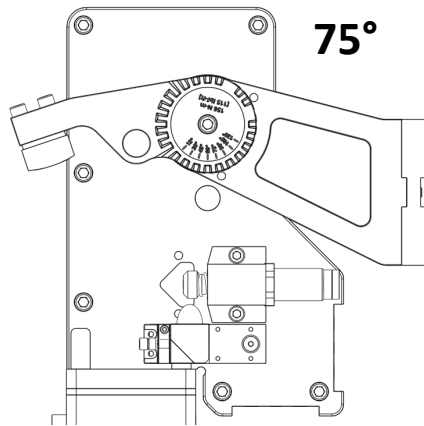
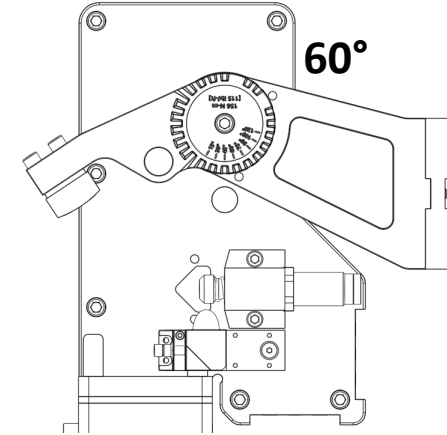
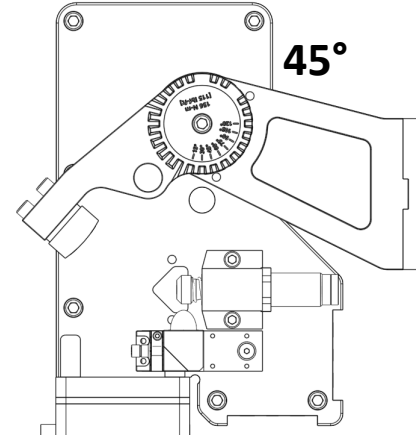
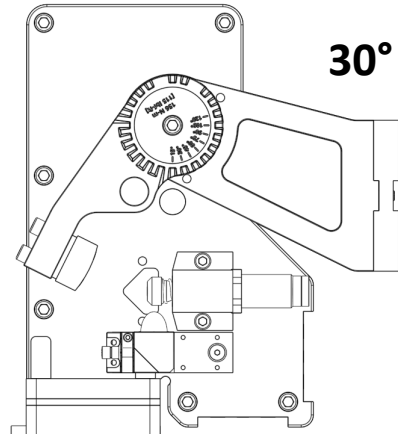
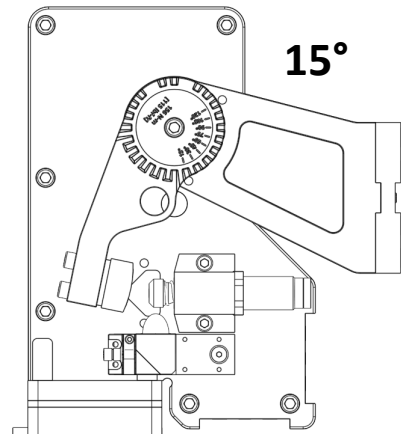
**15, 30, 45, 60, 75, 90, 105, 120**

**MODEL NUMBER**

**TECH-PIVOT ENCLOSED, 125mm BORE**

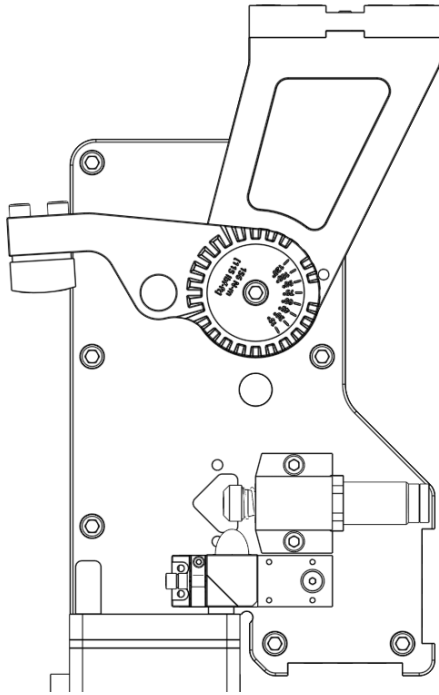
**TECH RIM**  
STANDARDS

# OPENING OPTION

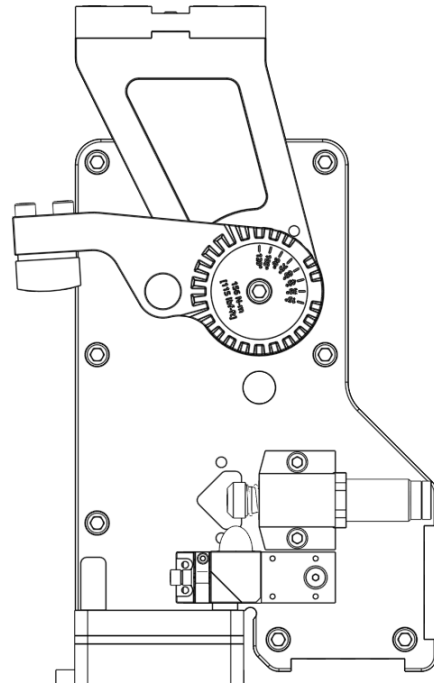


**ORDER WHATEVER OPENING YOU WANT. REST ASSURED, YOU CAN CHANGE THE OPENING AS QUICKLY AS YOU CHANGE YOUR MIND!**

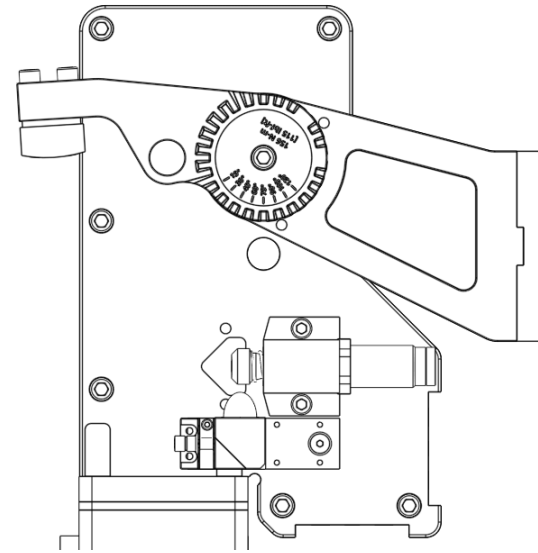
# SADDLE OPTION



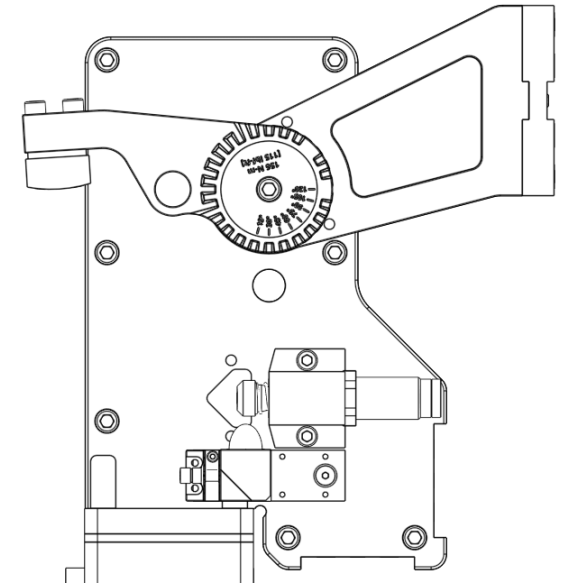
H1 – HORIZONTAL  
STANDARD



H2 – HORIZONTAL  
OPPOSITE  
(90° MAX OPENING!)

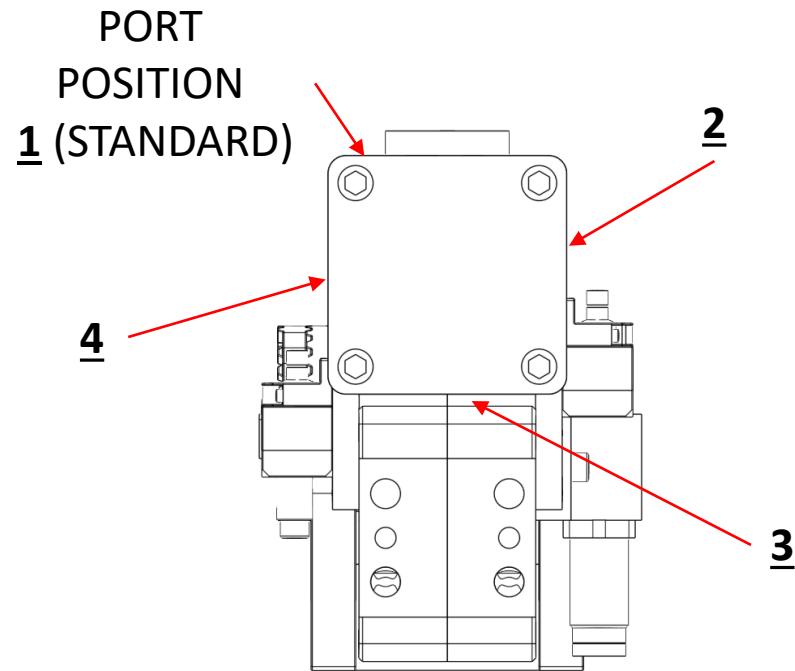


V1 – VERTICAL  
STANDARD

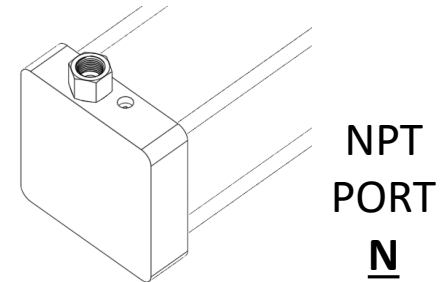
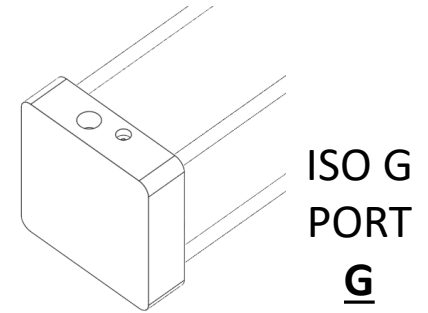


V2 – VERTICAL  
OPPOSITE

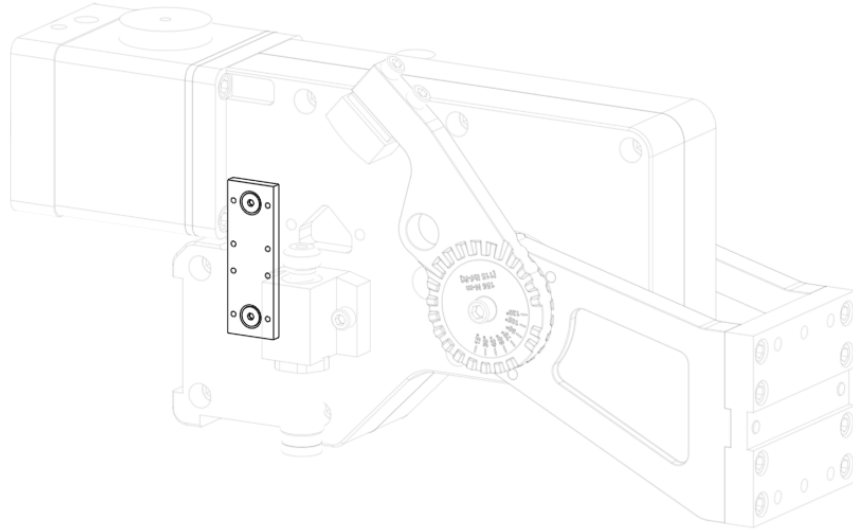
# CYLINDER OPTIONS



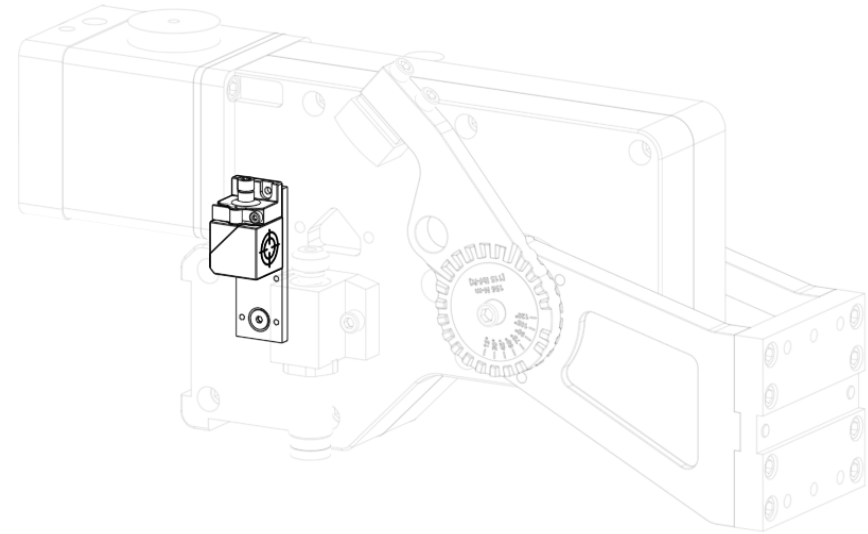
VIEW FROM REAR



# SWITCH OPTIONS



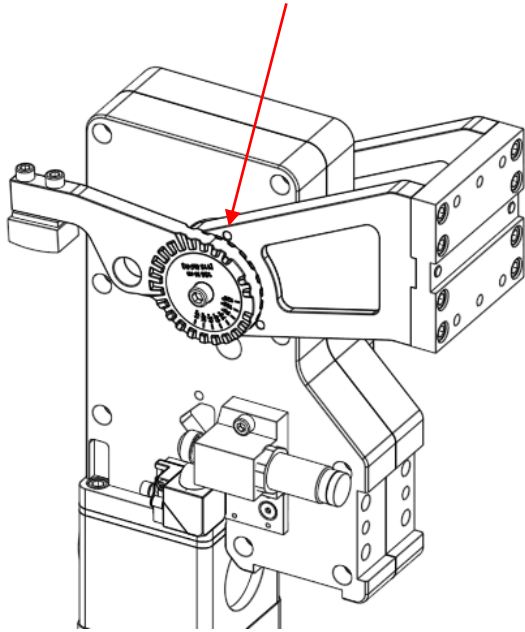
**X – NO SWITCHES**  
Mount plates are included for customer  
supplied 40x20 Cube Switches



**1 – Pepperl+Fuchs, NRB20-L3M-A2-C3-V1**  
**2 – Turck, BI20U-CA40-AP6X2-H1141/S1590 W/BS2.0**  
**(2) 40x20 Cube Switches, PNP, Installed**

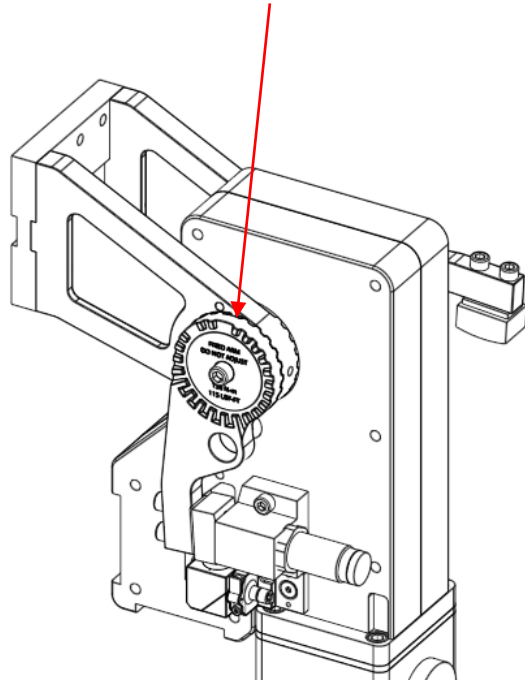
# MIRROR OPTION

ADJUSTABLE ARM

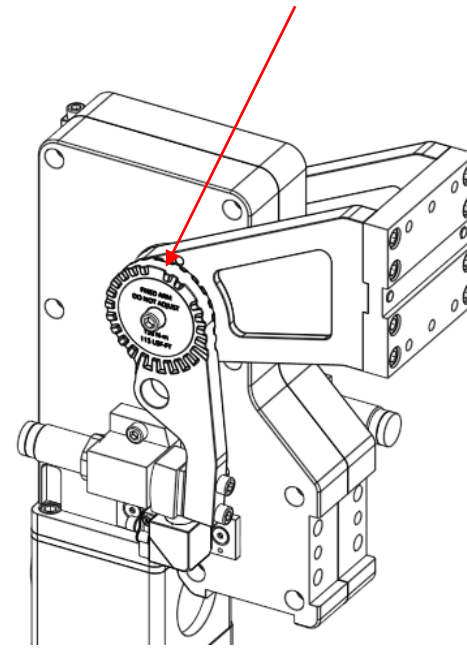


STANDARD

FIXED ARM

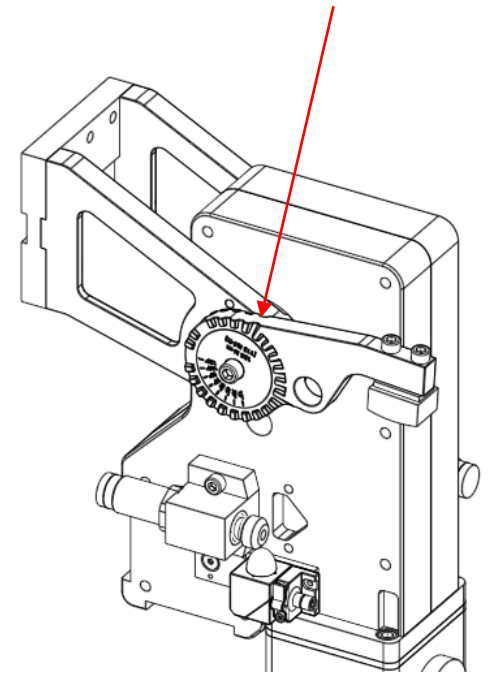


FIXED ARM



M - MIRRORED

ADJUSTABLE ARM



WITH THIS OPTION, ARMS AND SHOCKS ARE  
FLIPPED, AS SHOWN