

Ordering guide for the TR series TECH-PIVOTS

## Ordering Information

TR100 - V - 90 - 6 - 1 - P - A - R - M

**MODEL NUMBER**  
 TR80, 80mm BORE  
 TR100, 100mm BORE  
 TR160, 160mm BORE

**BODY MOUNT**  
 HORIZONTAL H  
 VERTICAL V

**OPENING ANGLE**  
 15, 30, 45, 60, 75, 90

CONTACT TECH RIM FOR MORE OPENING ANGLE OPTIONS \*

**TOOLING MOUNT**  
 BLADE MOUNT 4  
 HD SADDLE MOUNT 6

**MIRROR ARMS**  
 M SPECIFY FOR MIRROR/OPPOSITE STATIONS  
 LEAVE BLANK FOR STANDARD

**RETRACTED WORK POSITION**  
 R WORK POSITION WITH CYLINDER RETRACTED  
 LEAVE BLANK FOR STANDARD

**SHOCKS**  
 A ACE SHOCK  
 E ENIDINE SHOCK

**SENSOR**  
 P CUBE SENSOR BRACKET, INTERNAL  
 PB BARREL SENSOR BRACKET, EXTERNAL  
 PC CUBE SENSOR BRACKET, EXTERNAL

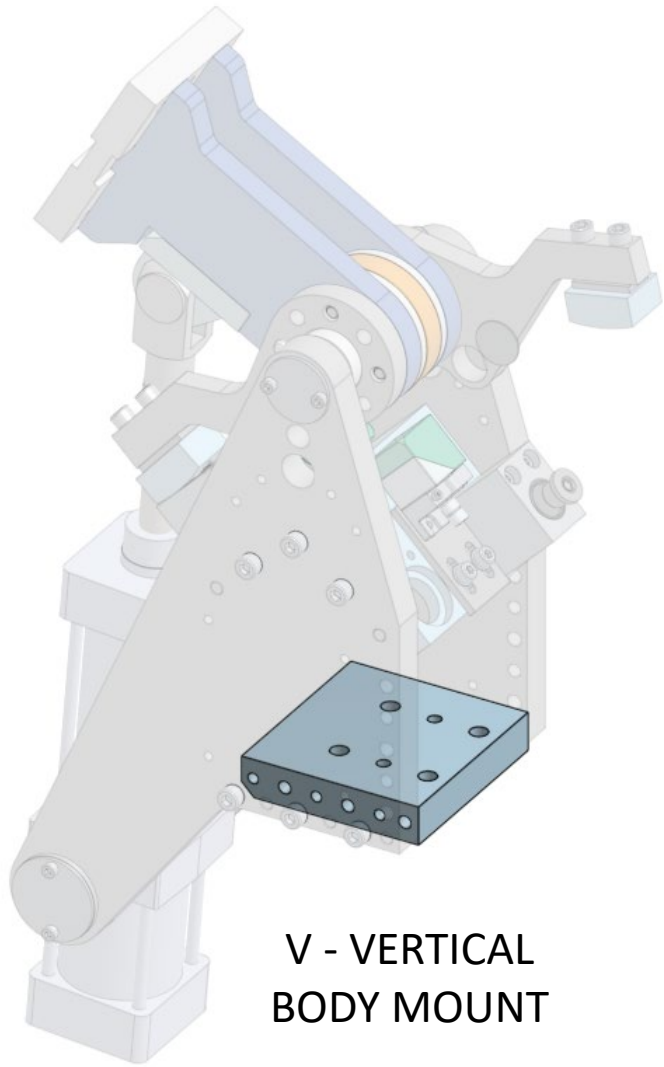
**CYLINDER**  
 1 SMC, NPT  
 2 SMC, ISO G  
 3 CKD, NPT  
 4 CKD, ISO G  
 L ADD FOR LOCKING CYLINDER  
 B ADD FOR BOTTOM PORTS  
 EXAMPLE; 1L, 2L, 3L, 4L, 1LB, 2LB

A FEW EXAMPLES:  
 TR80-H-45-6-2-PC-A  
 TR100-V-90-6-1LB-PB-E-R-M  
 TR80-H-75-4-3-P-A

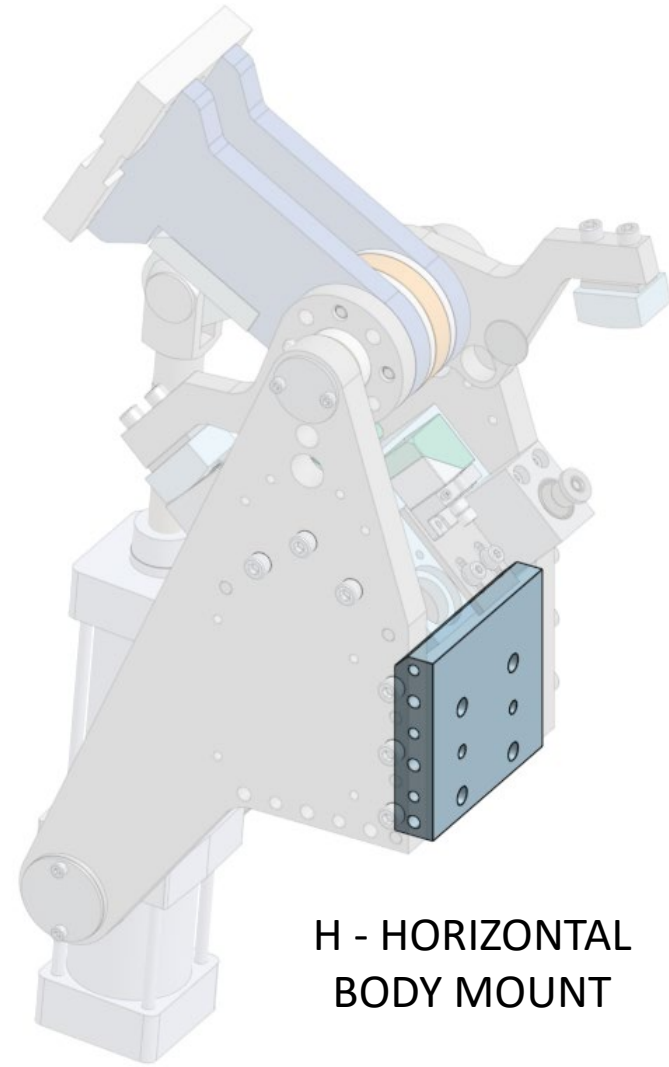
- TR160 IS ONLY AVAILABLE WITH TOOLING MOUNT OPTION 6
- TR160 IS ONLY AVAILABLE WITH LOCKING CYLINDER
- TR160 IS ONLY AVAILABLE WITH ACE SHOCK



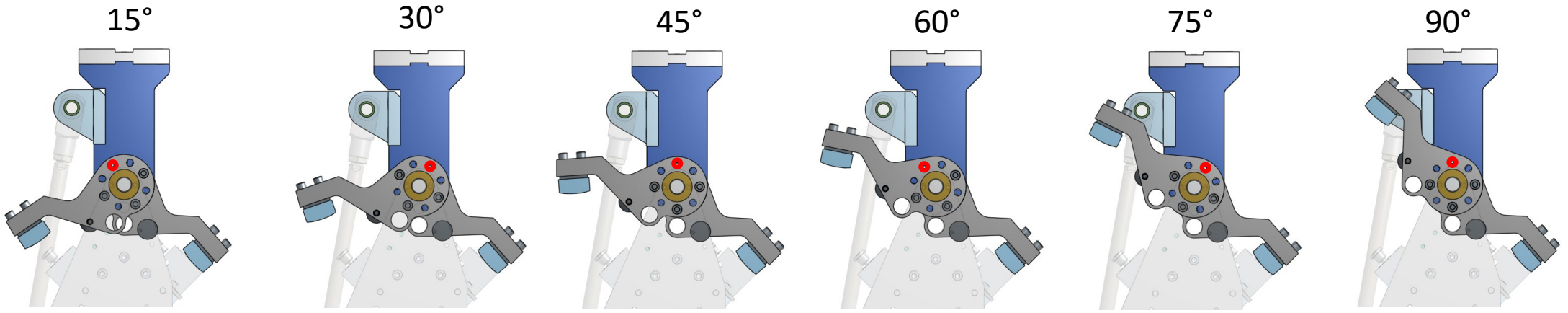
## ORDERING STRING



V - VERTICAL  
BODY MOUNT

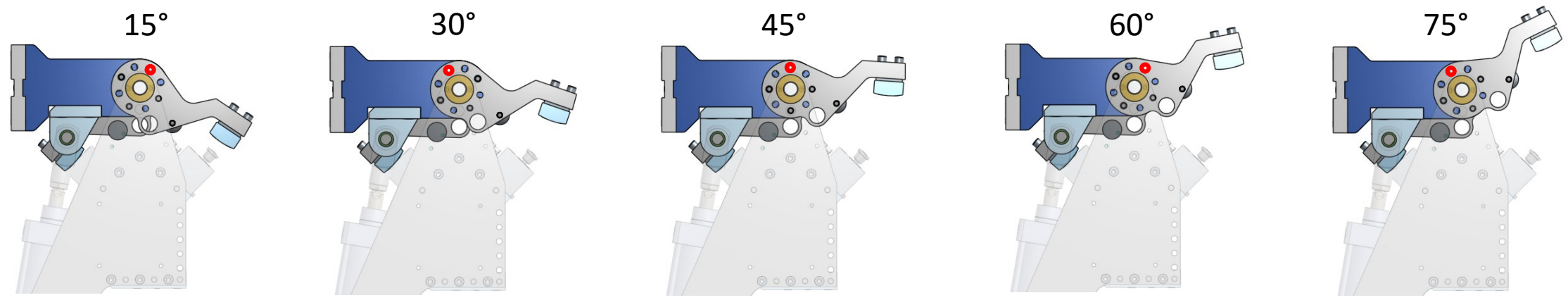


H - HORIZONTAL  
BODY MOUNT



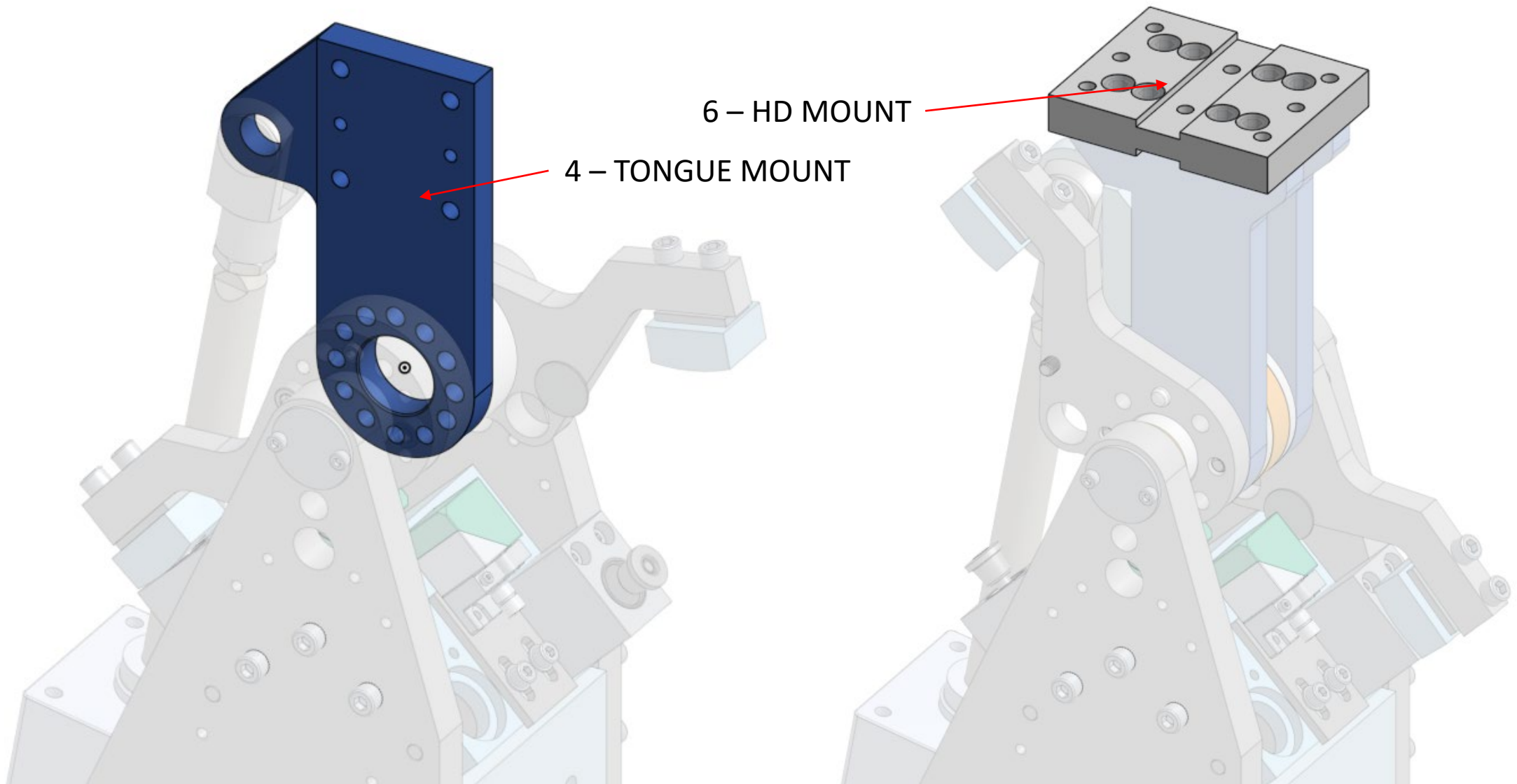
“STANDARD”

“-R RETRACTED”



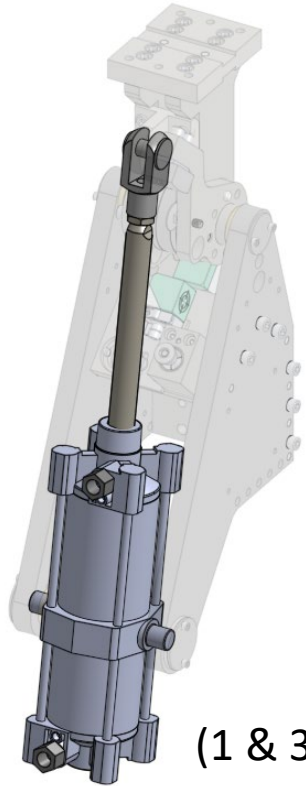
**OPENING ANGLE OPTIONS**

- Other opening angle options are possible
- Contact Tech Rim sales. [sales@techrim.com](mailto:sales@techrim.com)



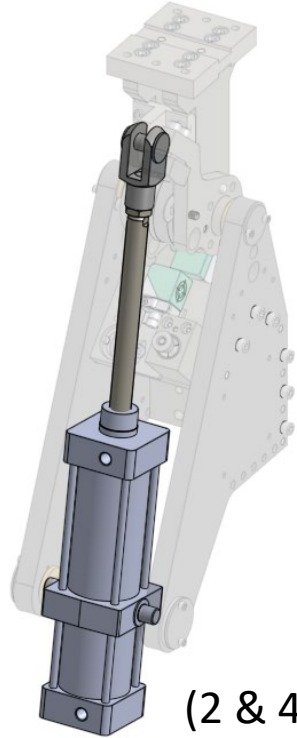


NON-LOCKING  
NPT PORTS  
OPTION SHOWN



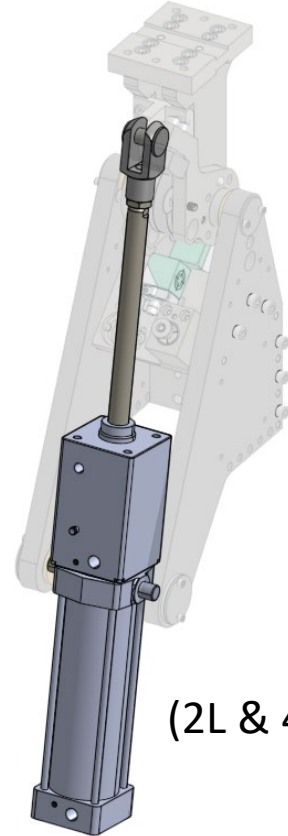
(1 & 3)

NON-LOCKING  
ISO G PORTS  
OPTION SHOWN



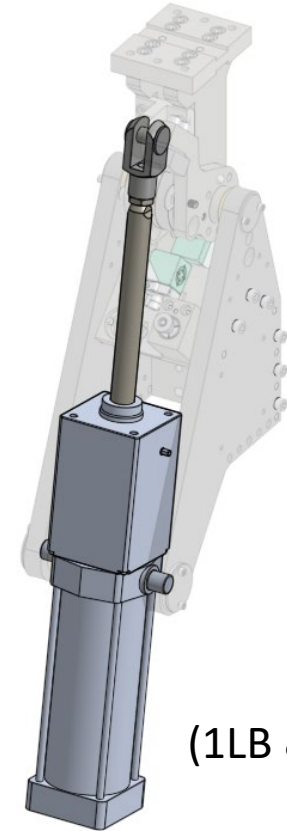
(2 & 4)

LOCKING  
ISO G PORTS  
OPTION SHOWN



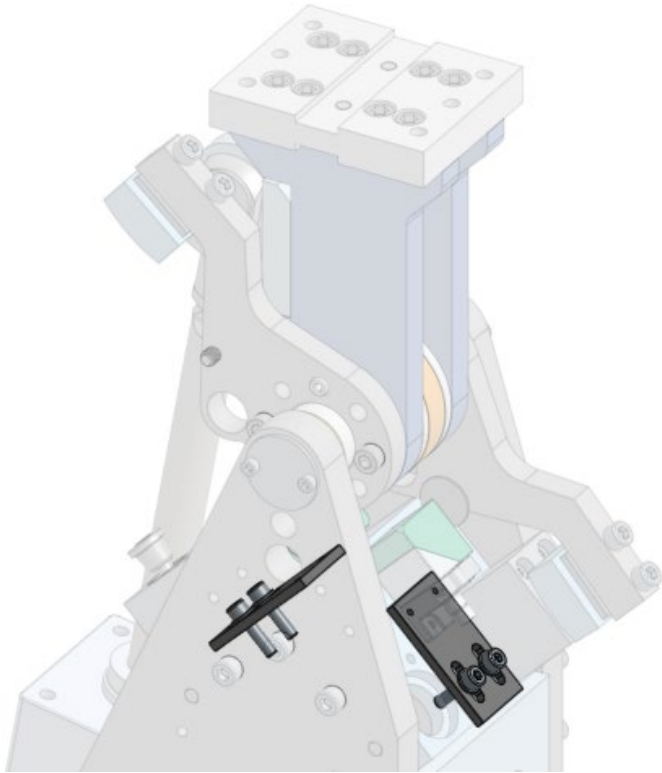
(2L & 4L)

LOCKING  
BOTTOM AND NPT  
OPTION SHOWN

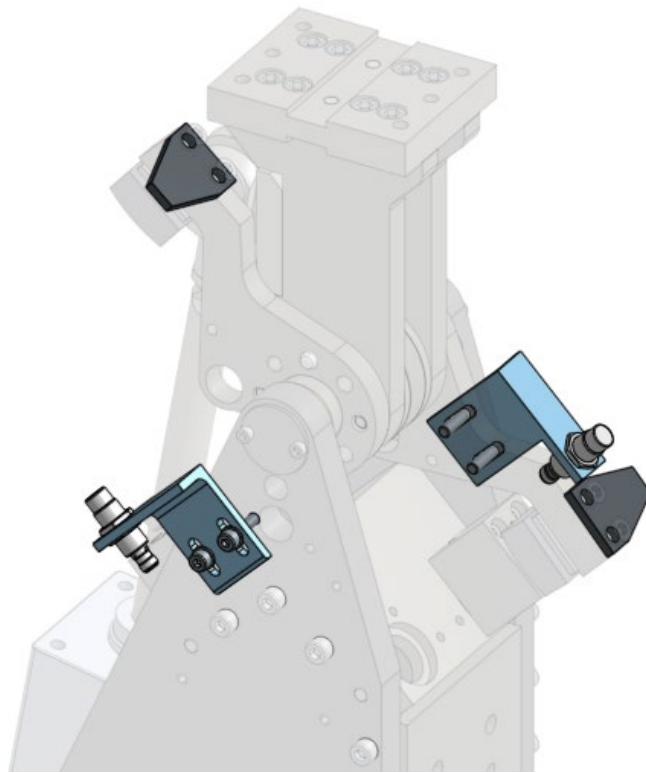


(1LB & 3LB)

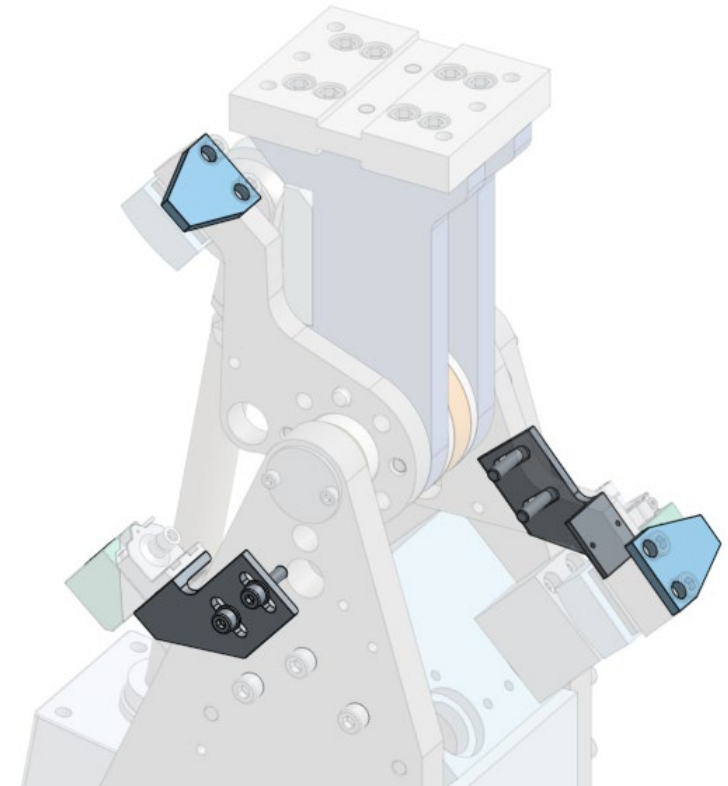
For option B, ports face  
in toward pivot unit



**P, CUBE BRACKET, INBOARD**  
EXAMPLE PART NUMBER  
TR100-H-90-6-1L-**P**-A



**PB, BARREL BRACKET, OUTBOARD**  
EXAMPLE PART NUMBER  
TR100-H-90-6-1L-**PB**-A

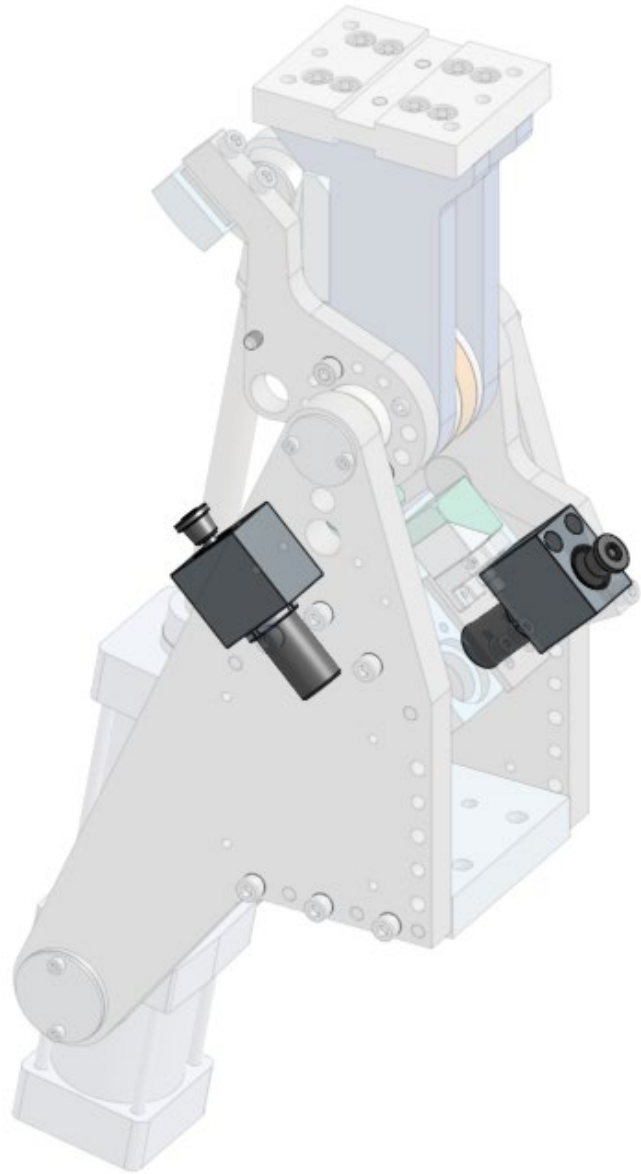


**PC, CUBE BRACKET, OUTBOARD**  
EXAMPLE PART NUMBER  
TR100-H-90-6-1L-**PC**-A

### SWITCH OPTIONS

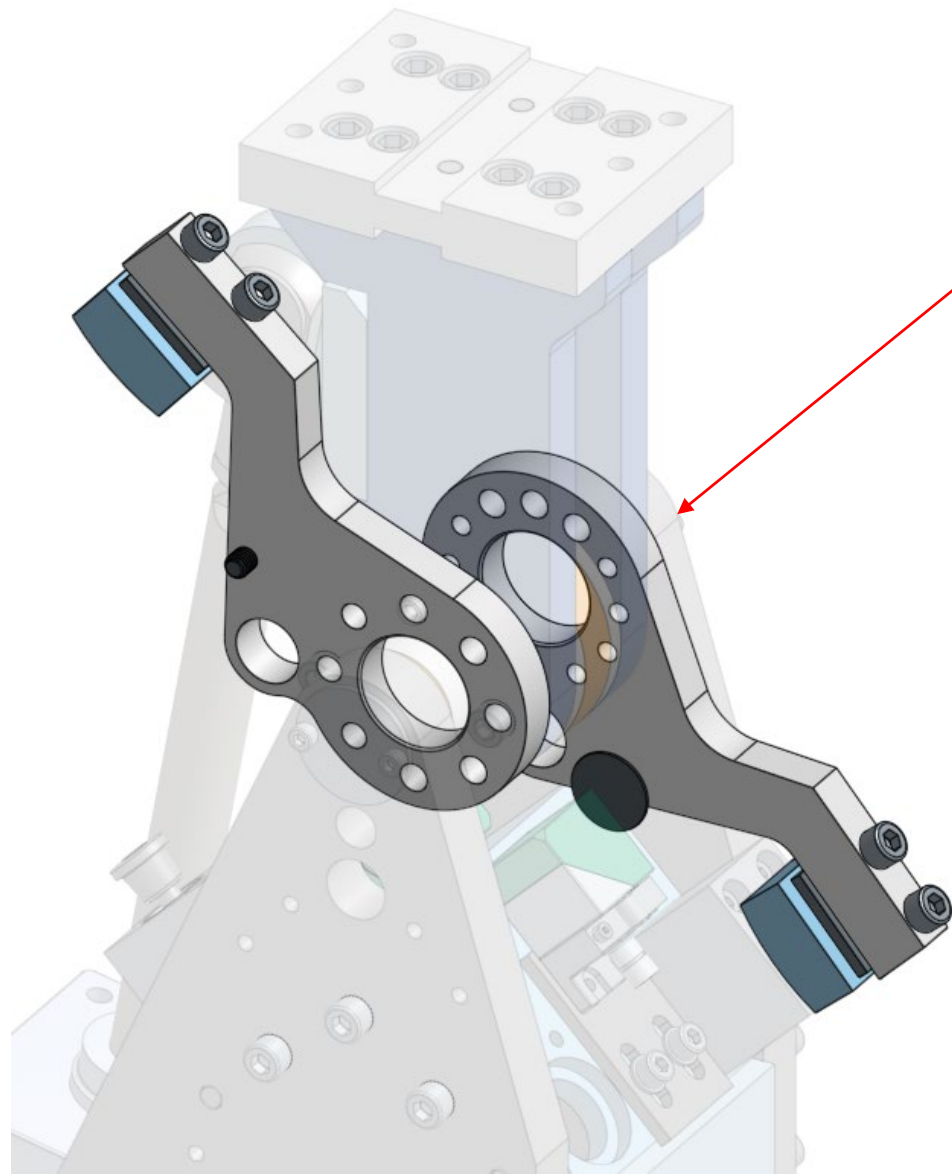
- Switch brackets are installed at Tech Rim
- Electrical switch NOT supplied by Tech Rim

A – ACE  
E- ENIDINE

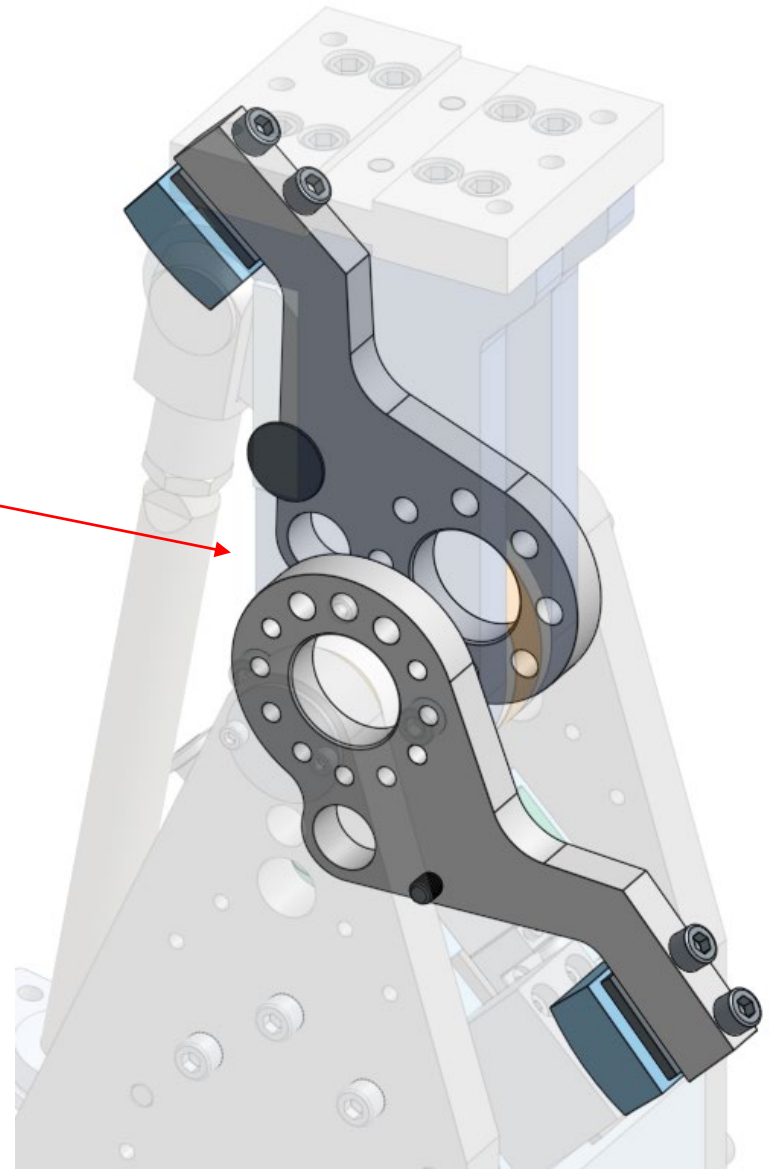


**SHOCK OPTIONS**



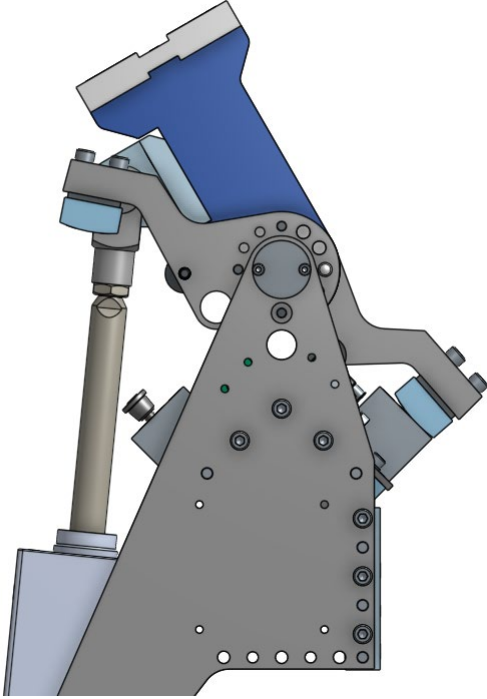
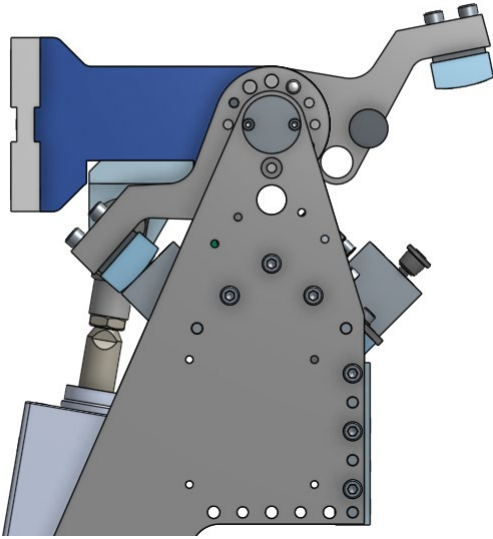


Standard



Mirrored

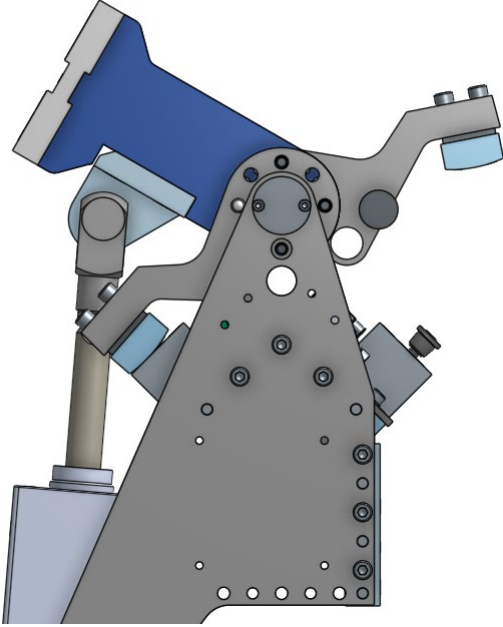
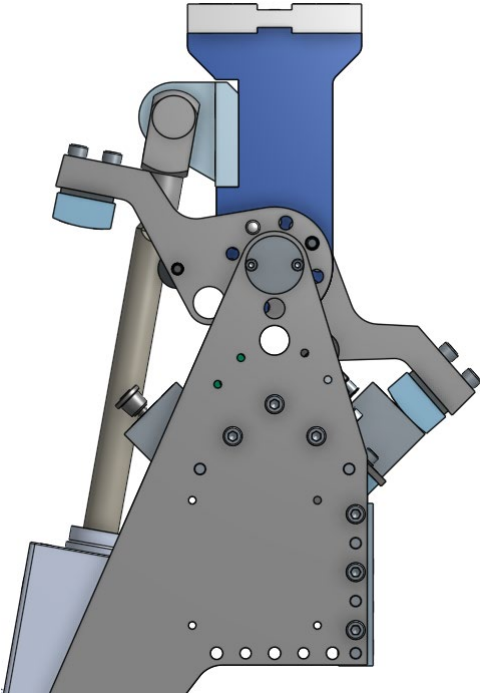
-R "RETRACTED" WORK POSITION  
60 DEGREE OPENING SHOWN



WORK / HOME POSITION  
(CYL RETRACTED)

DUMPED POSITION  
(CYL EXTENDED)

DEFAULT WORK POSITION  
60 DEGREE OPENING SHOWN



WORK / HOME POSITION  
(CYL EXTENDED)

DUMPED POSITION  
(CYL RETRACTED)