

## TECH-PIVOT: TPE125

### ENCLOSED TECH-PIVOT

Our new TPE125 (125mm Bore) Fully Enclosed Tech-Pivot is a pneumatic actuating unit ideal for heavy-duty welding and geometric applications.

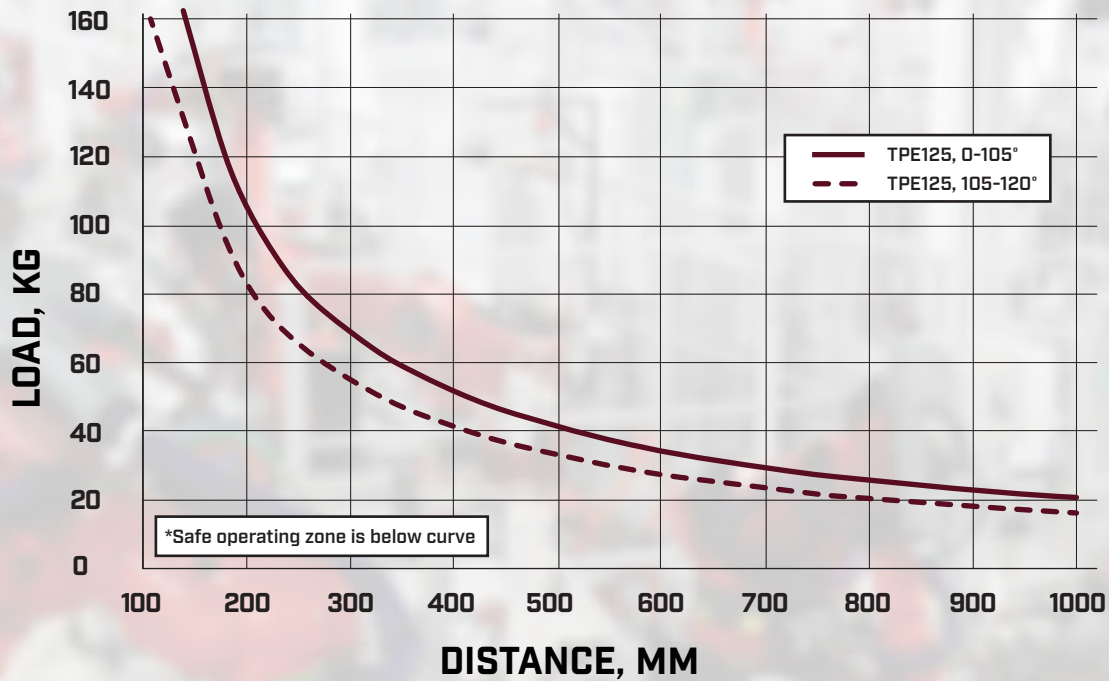
Our unique design offers a fully adjustable opening angle for tooling flexibility, and provides many configurations to meet your needs—including four different arm/saddle options.

The TPE125 also has integrated shocks and switches, as well as a locking cylinder.



# TOOLING WEIGHT CHARTS

## MAXIMUM TOOLING WEIGHT FOR LIFTING APPLICATIONS @ 65 PSI / 4.5 BAR



# ORDERING INFORMATION

### SAMPLE ORDER #

Model Number	Opening Angle	Saddle Orientation	Cylinder Rod Lock	Cylinder Port Position	Cylinder Port Type	Switches	Mirror
TPE125	120°	V1	L	1	N	X	M

### PART # DETAILS

**MODEL NUMBER** Tech-Pivot Enclosed  
TPE125 - 125mm Bore

**CYLINDER PORT POSITION**  
1 Position 1  
2 Position 2  
3 Position 3  
4 Position 4

**M** Mirror  
M Mirrored - Leave Blank for Standard

**OPENING ANGLE** 15°, 30°, 45°, 60°,  
75°, 90°, 105°, 120°

**CYLINDER PORT TYPE** N 1/2 NPT  
G 1/2 ISO G

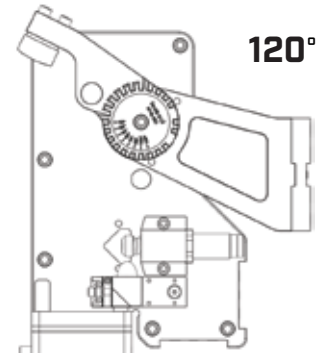
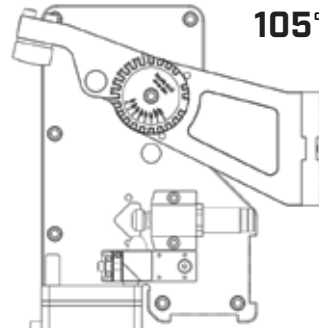
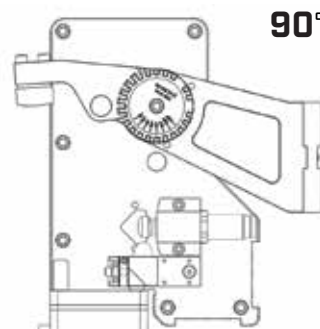
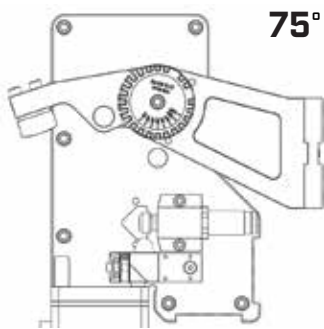
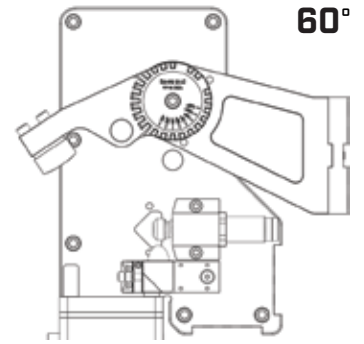
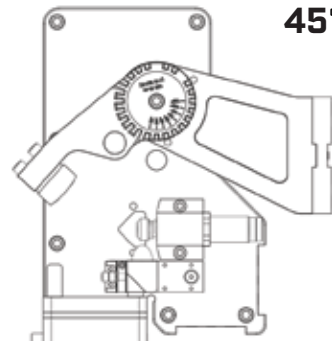
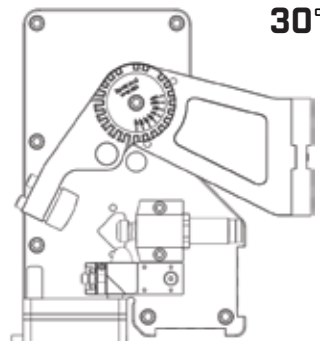
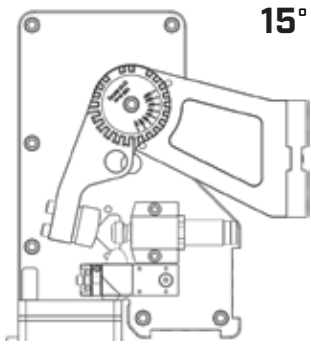
**SADDLE ORIENTATION**  
H1 Horizontal, Standard  
H2 Horizontal, Opposite\*  
V1 Vertical, Standard  
V2 Vertical, Opposite

**SWITCHES**  
X No Switches  
40x20 Cube Switch Ready  
1 P+F Cube Switch  
2 Turck Cube Switch

\* H2 Only Available 15-90 Degrees

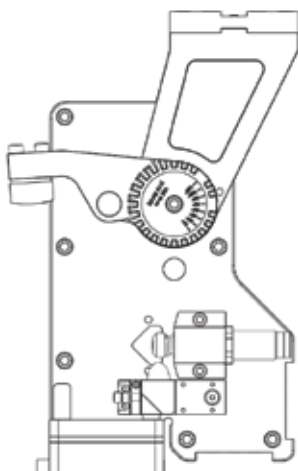
**CYLINDER ROD LOCK** L with Rod Lock

# OPENING ANGLE OPTIONS



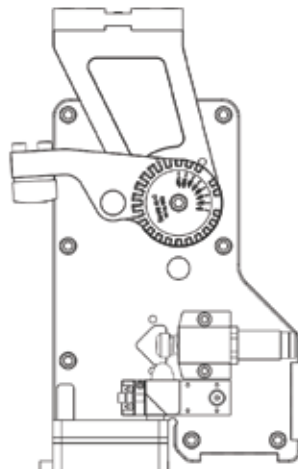
# SADDLE ORIENTATION OPTIONS

H1



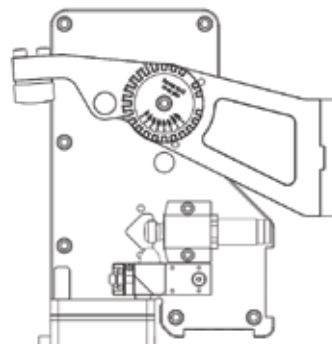
HORIZONTAL STANDARD

H2



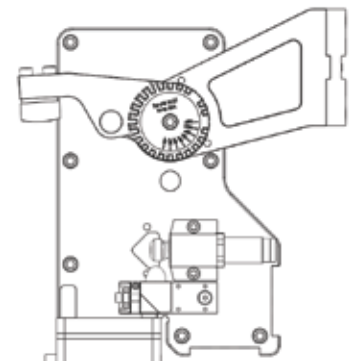
HORIZONTAL OPPOSITE

V1



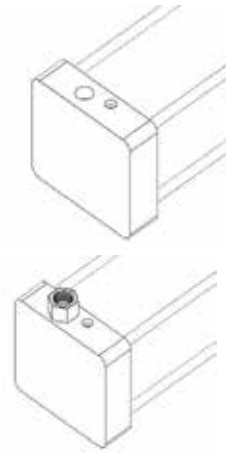
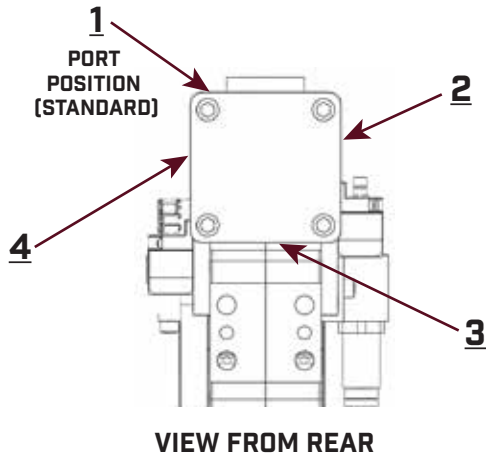
VERTICAL STANDARD

V2



VERTICAL OPPOSITE

# CYLINDER ROD LOCK OPTIONS



**ISO G PORT**  
**G**

**NPT PORT**  
**N**

# SWITCH OPTIONS



**X - NO SWITCHES**  
MOUNT PLATES ARE  
INCLUDED FOR CUSTOMER  
SUPPLIED 40X20 CUBE SWITCHES

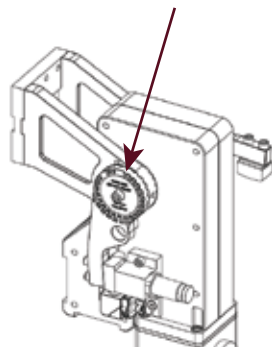
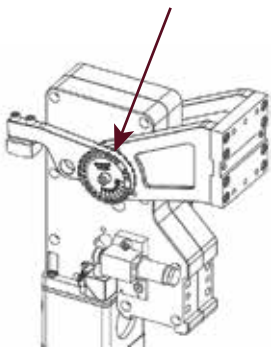


**1 - PEPPERL + FUCHS, NRB20-L3M-A2-CS-V1**  
**2 - TURCK, BI20U-CA40-AP6X2-H1141/S1590 W/BS2.0**  
**(2) 40X20 CUBE SWITCHES, PNP, INSTALLED**

# MIRROR OPTIONS

**ADJUSTABLE ARM**

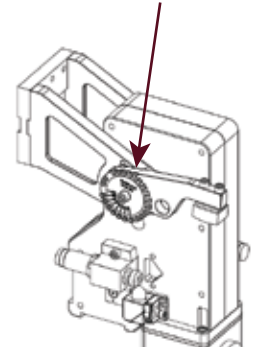
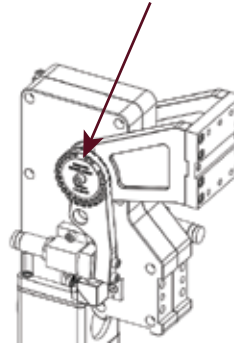
**FIXED ARM**



**STANDARD**

**FIXED ARM**

**ADJUSTABLE ARM**



**M - MIRRORED**

**WITH MIRRORED OPTION, ARMS AND SHOCKS ARE FLIPPED (AS SHOWN)**