

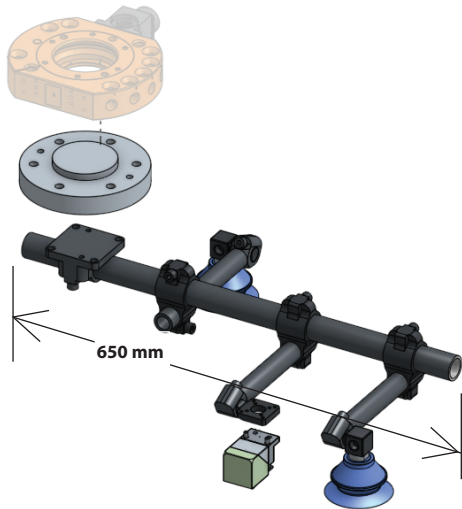


TECH-EFFECTOR

END OF ARM TOOLING

PARTS AND ASSEMBLIES GUIDE

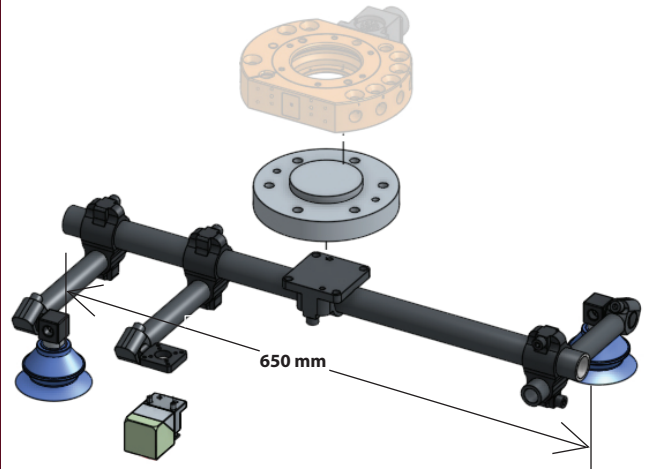
END OF ARM TOOLING ASSEMBLIES



2-CUP TOOLS WITH PROX

- 1x INTERFACE PLATE
- 1x FLANGE MOUNT, 1.50 INCH
- 1x 1.50 INCH DIA TUBE, 650MM
- 3x 1.50 INCH TO 1.00 INCH, CROSS CLAMP
- 3x END EXTENSION, 1.00 INCH DIA, 200MM
- 2x PORT ADAPTER, NPT
- 1x SENSOR MOUNT
- 1x CUBE SWITCH
- 2x VACUUM CUP

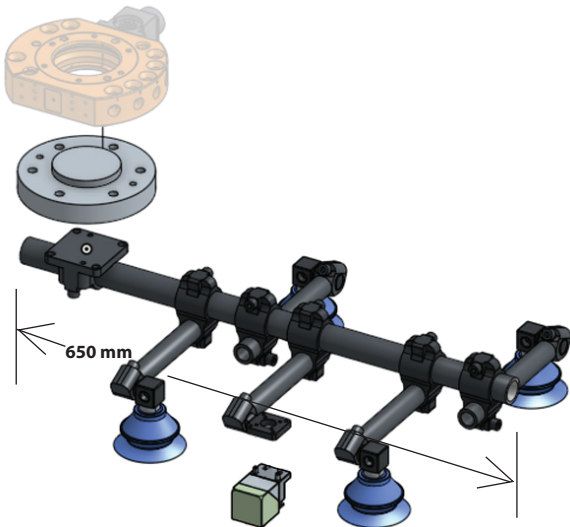
Total Price: \$1,056.00



2-CUP TOOLS WITH PROX

- 1x INTERFACE PLATE
- 1x FLANGE MOUNT, 1.50 INCH
- 1x 1.50 INCH DIA TUBE, 650MM
- 3x 1.50 INCH TO 1.00 INCH, CROSS CLAMP
- 3x END EXTENSION, 1.00 INCH DIA, 200MM
- 2x PORT ADAPTER, NPT
- 1x SENSOR MOUNT
- 1x CUBE SWITCH
- 2x VACUUM CUP

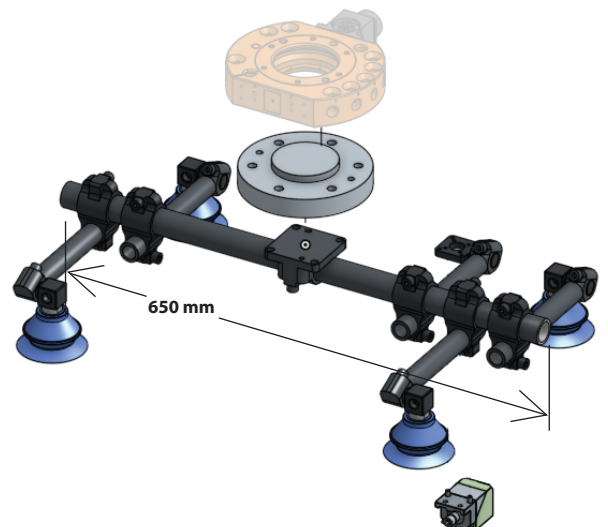
Total Price: \$1,056.00



4-CUP TOOLS WITH PROX

- 1x INTERFACE PLATE
- 1x FLANGE MOUNT, 1.50 INCH
- 1x 1.50 INCH DIA TUBE, 650MM
- 5x 1.50 INCH TO 1.00 INCH, CROSS CLAMP
- 5x END EXTENSION, 1.00 INCH DIA, 200MM
- 4x PORT ADAPTER, NPT
- 1x SENSOR MOUNT
- 1x CUBE SWITCH
- 4x VACUUM CUP

Total Price: \$1,636.00

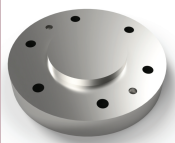


4-CUP TOOLS WITH PROX

- 1x INTERFACE PLATE
- 1x FLANGE MOUNT, 1.50 INCH
- 1x 1.50 INCH DIA TUBE, 650MM
- 5x 1.50 INCH TO 1.00 INCH, CROSS CLAMP
- 5x END EXTENSION, 1.00 INCH DIA, 200MM
- 4x PORT ADAPTER, NPT
- 1x SENSOR MOUNT
- 1x CUBE SWITCH
- 4x VACUUM CUP

Total Price: \$1,636.00

COMPONENT PRICING



INTERFACE PLATE

Part Number: Custom CNC Detail

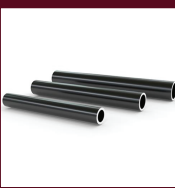
Price Each: \$120.00



FLANGE MOUNT, 1.50 INCH

Part Number: HFM15-002

Price Each: \$90.00



1.50 INCH DIA TUBE, 650MM

Part Number: TE-RT150E13-650

Price Each: \$41.02



1.50 INCH TO 1.00 INCH, CROSS CLAMP

Part Number: TE-CC1510

Price Each: \$85.00



END EXTENSION, 1.00 INCH DIA, 200MM

Part Number: TE-ES1-200

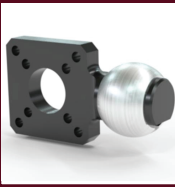
Price Each: \$90.00



PORT ADAPTER, NPT

Part Number: TE-PA-1

Price Each: \$50.00



SENSOR MOUNT

Part Number: TE-SM-C40-18-AC

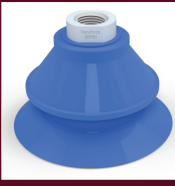
Price Each: \$35.00



CUBE SENSOR

Part Number: 39AXXXX

Price Each: \$75.00



VACUUM CUP

Part Number: 48AXXXX

Price Each: \$65.00



TECH-EFFECTOR

**TOOLING COMPONENTS AND ASSEMBLIES
IN-STOCK AND AVAILABLE**

The Tech-Effector™ is a fully adjustable product line for
End of Arm Tooling from Tech Rim Standards